



Cam switches  
Enclosed  
series

## Enclosed cam switches

**BREMAS** offers a complete range of enclosed cam switches with ratings from 12A to 200A. The enclosures are made of ABS for sizes up to 63A, sizes 100-200A are made of metal. Available versions with front drive or lateral lever drive.



**(S31)**

- Protection degree up to IP66
- Lateral lever drive (S31-S40-S90-S10-S20)
- Padlockable handle in “OFF” position (B95)
- Enclosure fixing screws isolated from the internal components (S31-B95)
- 4xM20 and 4xPg16 knock-outs (S31-B95)
- Cover interlock in “ON” position (B95)

Enclosed  
cam  
switches

Enclosure	Type	Dimensions (L x H x P)	Characteristics
Lateral lever drive 	<b>S31</b>	120 x 95 x 78 mm 4.72 x 3.74 x 3.07 in	ABS, IP66. 4xM20 knock-outs on two sides, 4xPg16 on one side and on the bottom of the enclosure
Front drive 	<b>B95</b>	120 x 95 x 78 mm 4.72 x 3.74 x 3.07 in	ABS, IP66. 4xM20 knock-outs on two sides, 4xPg16 on one side and on the bottom of the enclosure
Lateral lever drive 	<b>S40</b>	152 x 113 x 104 mm 5.98 x 4.45 x 4.09 in	ABS, IP40. 3 holes Ø 19 mm (0.75") with rubber grommet
Lateral lever drive 	<b>S90</b>	190 x 135 x 115 mm 7.48 x 5.31 x 4.53 in	ABS, IP40. 6 holes Ø 19 mm (0.75") with rubber grommet
Lateral lever drive 	<b>S10</b>	300 x 300 x 150 mm 11.81 x 11.81 x 5.90 in	Metal IP54
Lateral lever drive 	<b>S20</b>	400 x 300 x 200 mm 15.75 x 11.81 x 7.87 in	Metal IP54

## Enclosures

Type	Description	Pack
S31	enclosure with lateral lever drive	1
B95	enclosure with front drive with RL6 handle	1
S40	enclosure with lateral lever drive for 40A	on request
S90	enclosure with lateral lever drive for 63A	on request

## Enclosure with lateral drive S31



	Part no.	Description	Pack
12A	CA0120003S31	ON-OFF switch 3 pole	on request
	CA0120007S31	change-over switch 3 pole	on request
	CA0120008S31	reversing switch 3 pole	on request
	CA0120009S31	changing switch Dahlander pole	on request
	CA0120010S31	STAR-DELTA starter	on request
	CA0120039S31	change-over switch 4 pole	on request
16A	CA0160003S31	ON-OFF switch 3 pole	1
	CA0160007S31	change-over switch 3 pole	1
	CA0160008S31	reversing switch 3 pole	1
	CA0160009S31	changing switch Dahlander pole	on request
	CA0160010S31	STAR-DELTA starter	on request
	CA0160036S31	reversing switch 3 pole with spring return to "OFF"	on request
	CA0160039S31	change-over switch 4 pole	on request
20A	CA0200003S31	ON-OFF switch 3 pole	1
	CA0200007S31	change-over switch 3 pole	on request
	CA0200008S31	reversing switch 3 pole	on request
	CA0200009S31	changing switch Dahlander pole	on request
	CA0200010S31	STAR-DELTA starter	on request
	CA0200036S31	reversing switch 3 pole with spring return to "OFF"	on request
	CA0200039S31	change-over switch 4 pole	on request

## Enclosure with lateral drive S31



	Part no.	Description		Pack
25A	CA0250003S31	ON-OFF switch 3 pole	on request	1
	CA0250007S31	change-over switch 3 pole		1
	CA0250008S31	reversing switch 3 pole		1
	CA0250009S31	changing switch Dahlander pole	on request	1
	CA0250010S31	STAR-DELTA starter	on request	1
	CA0250036S31	reversing switch 3 pole with spring return to "off"	on request	1
	CA0250039S31	change-over switch 4 pole	on request	1
32A	CA0320003S31	ON-OFF switch 3 pole	on request	1
	CA0320007S31	change-over switch 3 pole	on request	1
	CA0320008S31	reversing switch 3 pole	on request	1
	CA0320009S31	changing switch Dahlander pole	on request	1
	CA0320010S31	STAR-DELTA starter	on request	1
	CA0320039S31	change-over switch 4 pole	on request	1
40A	CA0400003S31	ON-OFF switch 3 pole	on request	1

## Enclosure with front drive B95




	Part no.	Description		Pack
12A	CA0120007B95RL6	change-over switch 3 pole	on request	1
	CA0120008B95RL6	reversing switch 3 pole	on request	1
	CA01200G3B95RL6	ON-OFF switch 3 pole	on request	1

## Enclosure with front drive B95




	Part no.	Description	Pack
<b>16A</b>	CA0160007B95RL6	change-over switch 3 pole	1
	CA0160008B95RL6	reversing switch 3 pole	1
	CA01600G3B95RL6	ON-OFF switch 3 pole	1
	CA01600G4B95RL6	ON-OFF switch 3 pole	1
<b>20A</b>	CA0200007B95RL6	change-over switch 3 pole	on request 1
	CA0200008B95RL6	reversing switch 3 pole	on request 1
	CA02000G3B95RL6	ON-OFF switch 3 pole	on request 1
	CA02000G4B95RL6	ON-OFF switch 4 pole	on request 1
<b>25A</b>	CR0250008B95RL6	reversing switch 3 pole	1
	CA02500G3B95RL6	ON-OFF switch 3 pole	on request 1
<b>32A</b>	CR0320008B95RL6	reversing switch 3 pole	on request 1
	CA03200G3B95RL6	ON-OFF switch 3 pole	on request 1
<b>40A</b>	CA04000G3B95RL6	ON-OFF switch 3 pole	on request 1


## ■ Enclosure with lateral drive S40

		Part no.	Description		Pack
	50A	CA0500003S40	ON-OFF switch 3 pole	on request	1
		CA0500007S40	change-over switch 3 pole	on request	1
		CA0500008S40	reversing switch 3 pole	on request	1
		CA0500010S40	STAR-DELTA starter	on request	1
		CA0500039S40	change-over switch 4 pole	on request	1


## ■ Enclosure with lateral drive S90

		Part no.	Description		Pack
	63A	CA0630003S90	ON-OFF switch 3 pole	on request	1
		CA0630007S90	change-over switch 3 pole	on request	1
		CA0630008S90	reversing switch 3 pole	on request	1
		CA0630010S90	STAR-DELTA starter	on request	1
		CA0630039S90	change-over switch 4 pole	on request	1

## ■ Metal enclosure with lateral drive S10

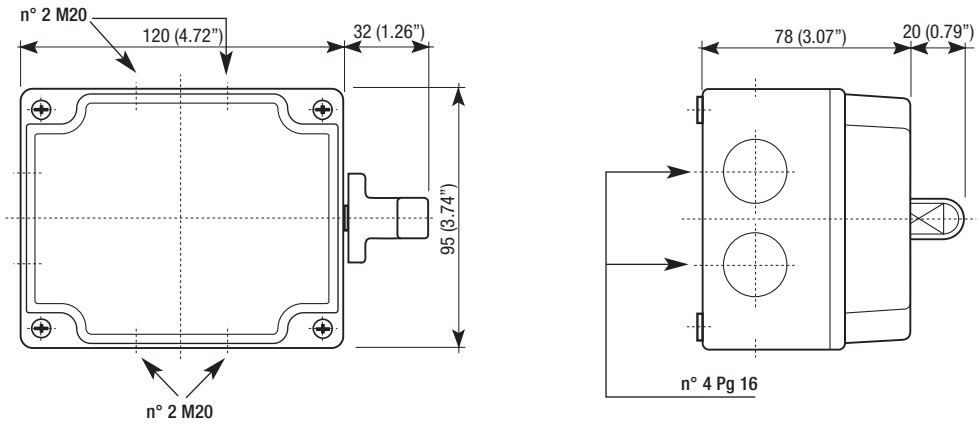
		Part no.	Description		Pack
	100A	CA1000010S10	STAR-DELTA starter	on request	1
		CA1000039S10	change-over switch 4 pole	on request	1

## ■ Metal enclosure with lateral drive S20

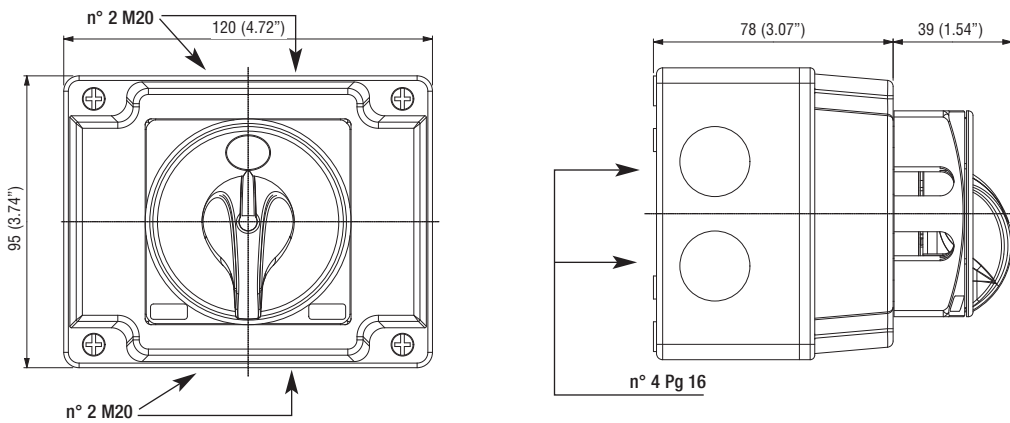
		Part no.	Description		Pack
	200A	CA2000039S20	change-over switch 4 pole	on request	1

## Dimensions - measures in mm (in)

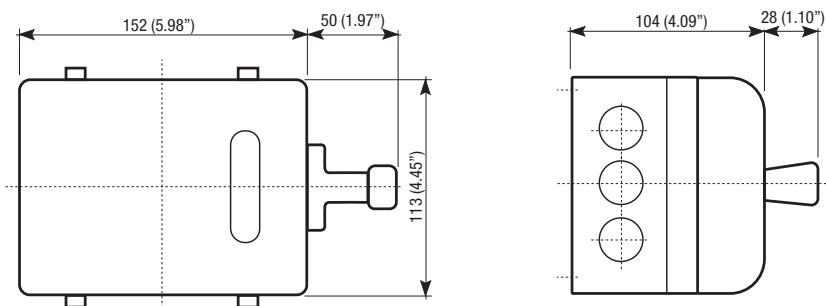
### ■ S31



### ■ B95

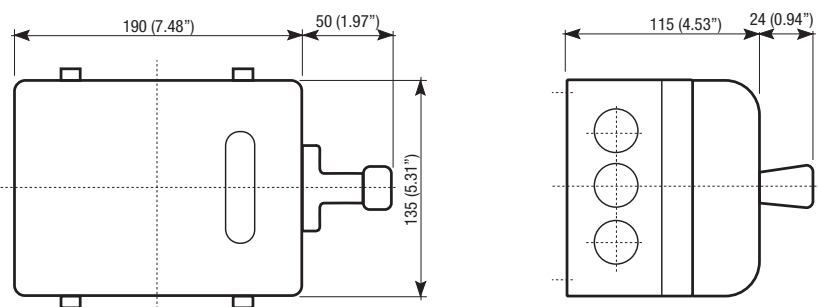


### ■ S40

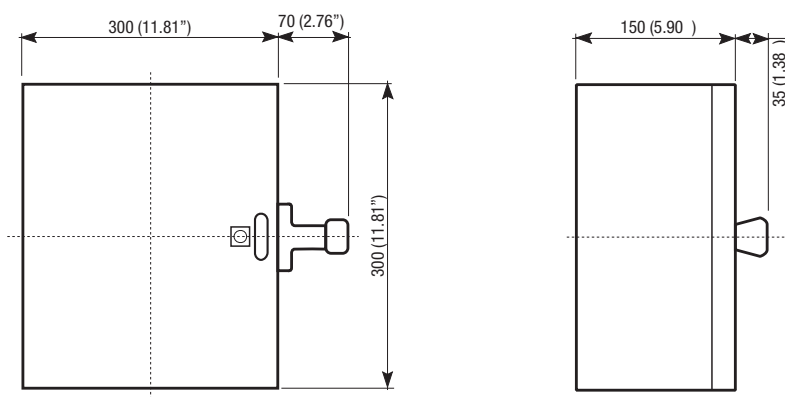


## Dimensions - measures in mm (in)

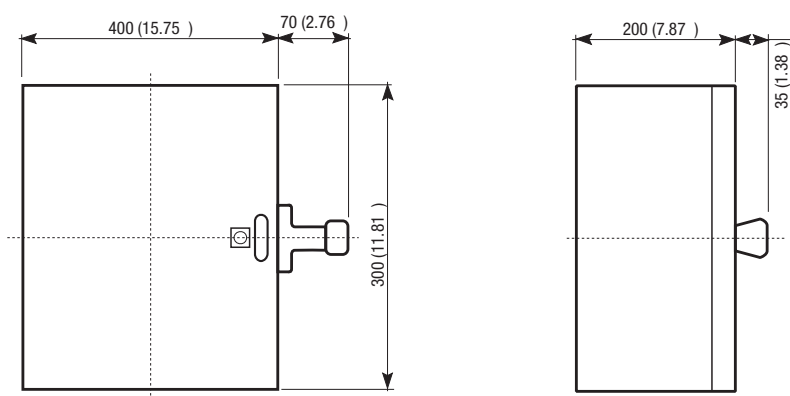
## ■ S90



## ■ S10

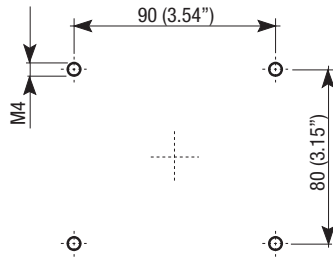


## ■ S20

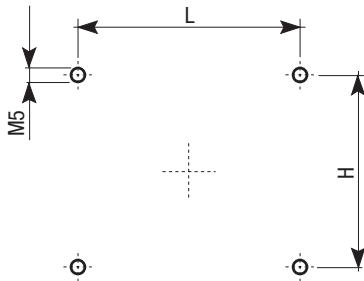


## ■ Drilling templates

### S31 - B95



### S40 - S90



Measures in mm (in)

Series	H	L
CA040	95	129
	3.74	5.08
CA063	111	4.37
	4.37	6.54

### S10 - S20

