


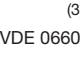







**SPARE PARTS**

Power tool switches

## Power tool switches

### International standards and approvals

Country	USA / Canada	Canada	Germany	Switzerland	Denmark	Norway	Sweden	Finland	Austria	Great Britain	IEC International Electrical Commission	Russian Federation
Authority	Verificata da UL secondo la normativa CSA	CSA International	Verband Deutscher Elektrotechniker	Schweizerischer Elektrotechnischer Verein	Danmarks Elektriske Materiekontrol	Norges Elektriske Materiekontrol	Svenska Elektriske Materiekotroll-anstalten	Sähtötär-kastukeskus	Österreichischer Verband für Elektrotechnik	British Standards Institution	IEC International Electrical Commission	GOST
Mark of standard	 (1)	 (1)	 (2)	VDE 0660 (3)						BS EN 60947 (3)	IEC 60947 (4)	
LEA202			+	+	+	+	+	+	+	+	+	•
LFA203			+	+	+	+	+	+	+	+	+	•
LLA42		•	+	+	+	+	+	+	+	+	+	•
LLA43		•	+	+	+	+	+	+	+	+	+	•
LNA45			+	+	+	+	+	+	+	+	+	•
LAA65			+	+	+	+	+	+	+	+	+	•
LAA88			+	+	+	+	+	+	+	+	+	•

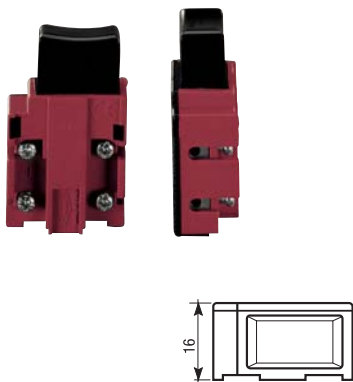
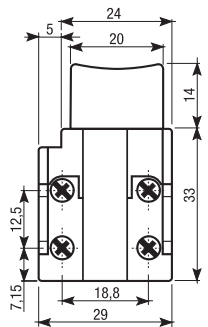
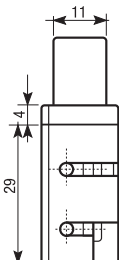
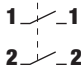
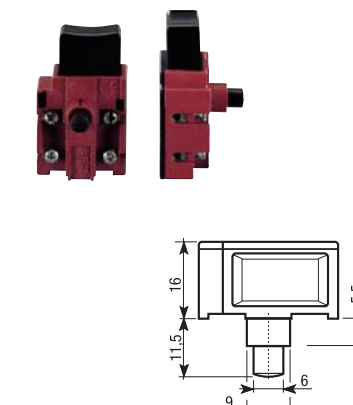
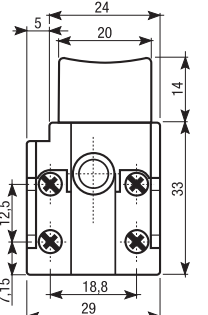
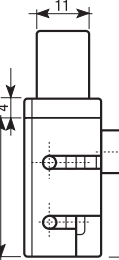
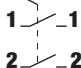
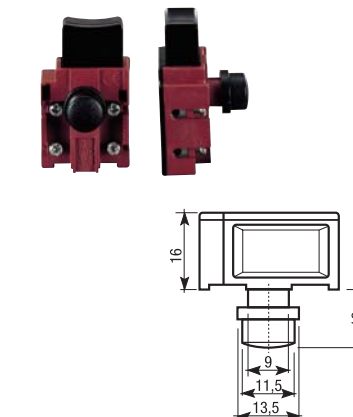
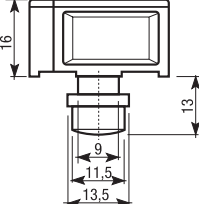
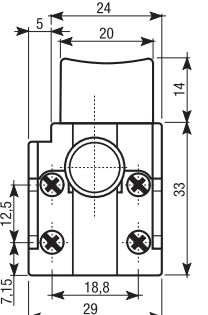
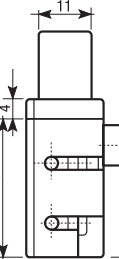
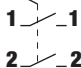
- Approved
- + Conforms to requirements

**Notes:**

- 1) UL Approval File E181010
- 2) CSA Approval File 0282121-0-000
- 3) It is not required to bear a symbol but switches must conform to requirements.
- 4) IEC does not operate an approval scheme


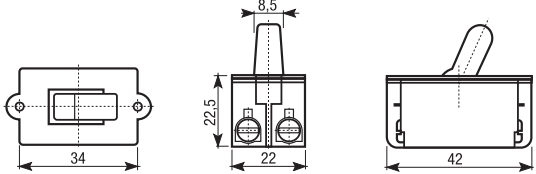
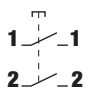
## 2 pole trigger switches

### ■ Serie LAA65-LAA88

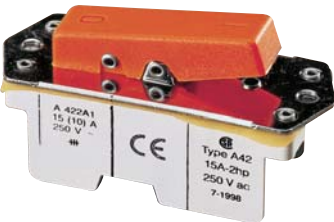
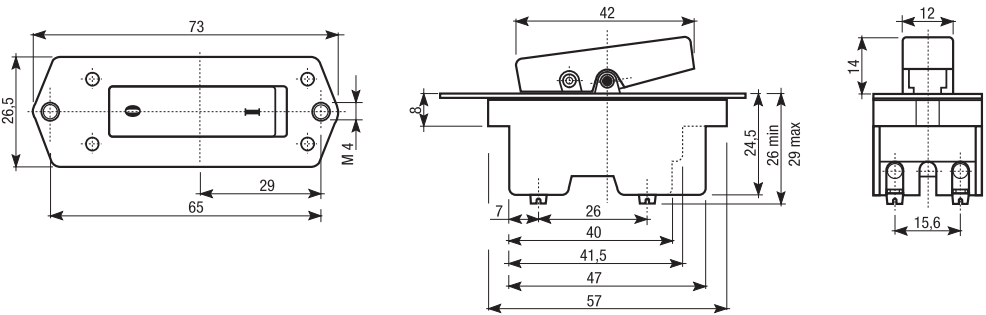
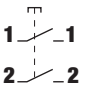
	Part no.	Type	Description	Pack	
	VG811400	LAA65301	2 pole switch, command button without lock, 4 screw terminals	10	
		Diagram			
	VG813000	LAA65311	2 pole switch, command button with lock in ON Ø 6mm, 4 screw terminals	10	
VG827000	LAA88311	2 pole switch, command button with lock in ON Ø 6mm, 4 silver screw terminals	10		
		Diagram			
	VG815500	LAA65331	2 pole switch, command button with lock in ON Ø 11,5mm, 4 screw terminals	10	
			Diagram		

## 2 pole switch with lever

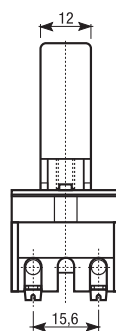
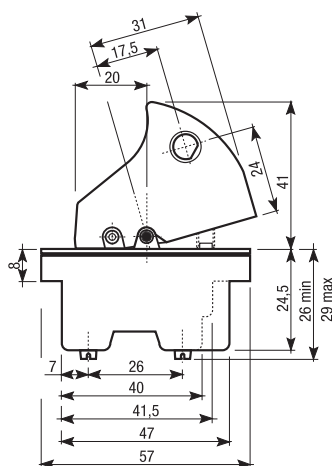
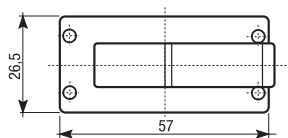
### LEA202-LEA202A Series

	Part no.	Type	Description	Pack
	VG842900	LEA202R	2 pole switch with stable lever	10
				
<p>Diagram</p> 				

### LLA42 Series

	Part no.	Type	Description	Pack
	VG859300	LLA422N1	2 pole switch with black lever, fixing holes distance 55mm	10
	VD794500	LLA422A1	2 pole switch with orange lever, fixing holes distance 55mm	10
	VG861900	LLA422N3	2 pole switch with black lever, fixing holes distance 65mm	10
				
<p>Diagram</p> 				

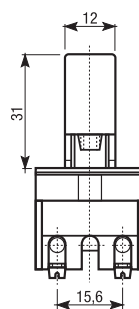
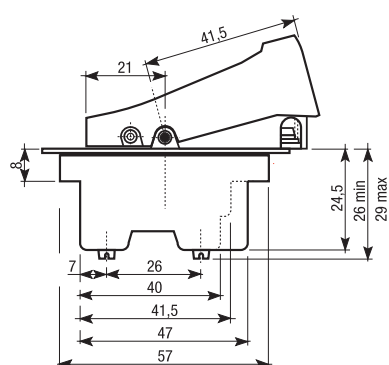
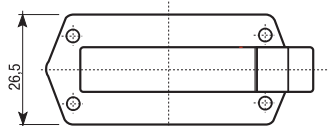
Part no.	Type	Description	Pack
VG862700	LLA423N0	2 pole switch with black unstable lever, without fixing holes, L=31 mm	10



Diagram



VG865000	LLA424N0	2 pole switch with black unstable lever, without fixing holes, L=41,5 mm	10
VG866899	LLA424N0A	2 pole switch with special lever	10


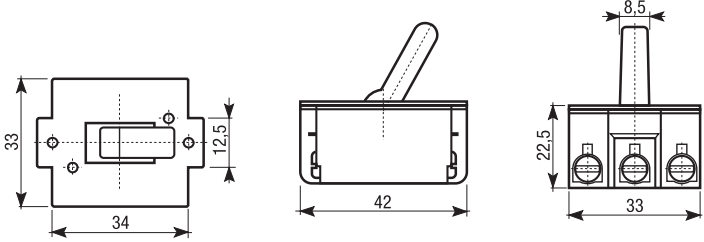
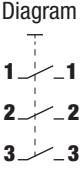

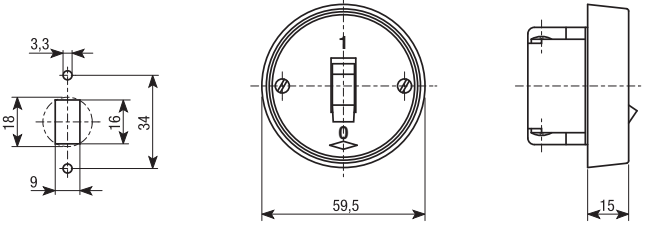
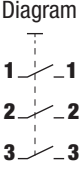


Diagram



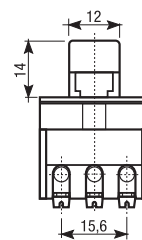
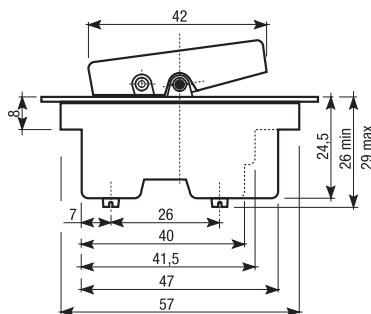
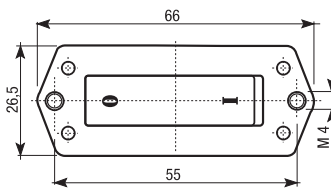
3 pole switch with lever

LFA203 Series

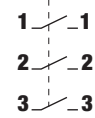
	Part no.	Type	Description	Pack
	VG848600	LFA203R	3 pole switch with stable lever	10
			<p>Diagram</p> 	
	VI086100	LFA203RPT	3 pole switch with guarded round grey plate, rear mounting	5
			<p>Diagram</p> 	

■ LLA43 Series

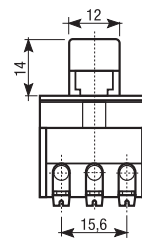
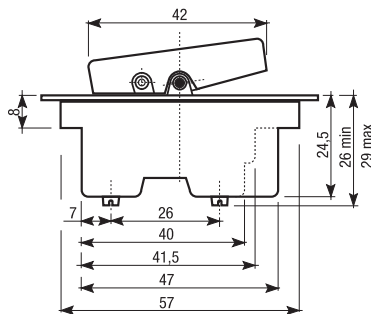
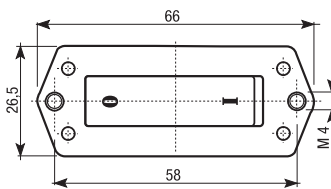
Part no.	Type	Description	Pack
VG874200	LLA432N1	3 pole switch with black stable lever, fixing holes distance 55mm, L=26,5 mm	10



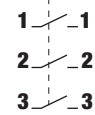
Diagram



VG875900	LLA432N2	3 pole switch with black stable lever, fixing holes distance 58mm, L=26,5 mm	10
----------	----------	--	----

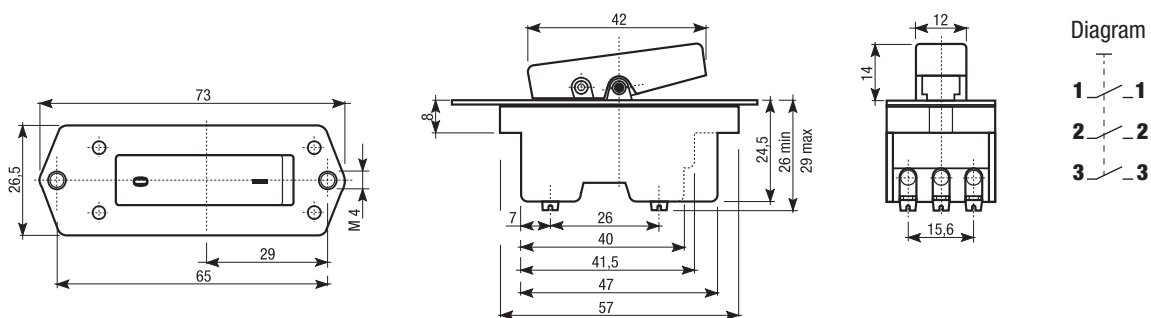


Diagram

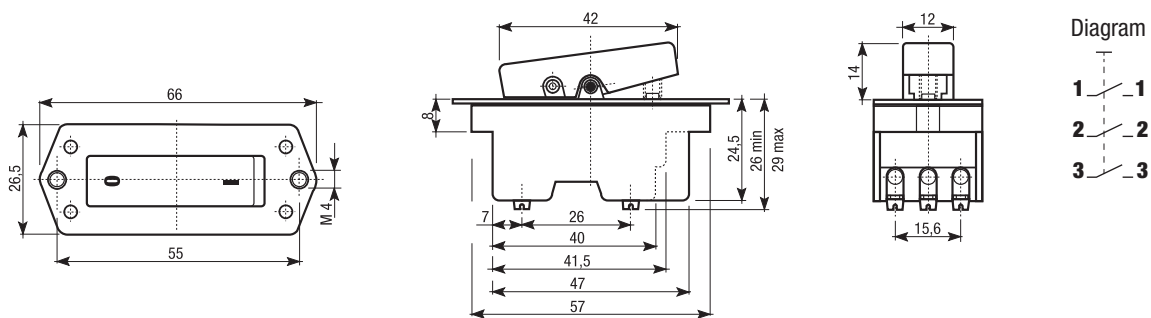


## ■ Serie LLA43

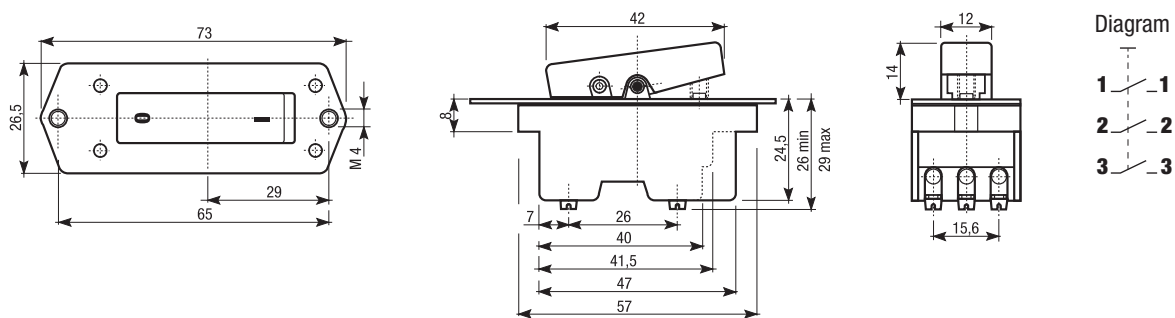
Part no.	Type	Description	Pack
VG876700	LLA432N3	3 pole switch with black stable lever, fixing holes distance 65mm	10

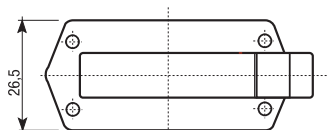
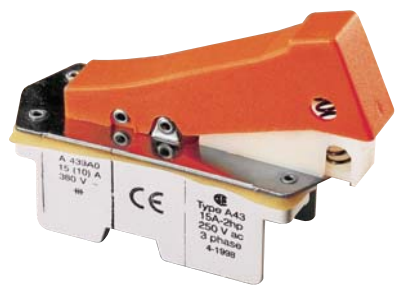


VG943500	LLA438N1	3 pole switch with black unstable lever, fixing holes distance 55mm	10
----------	----------	---	----



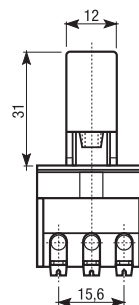
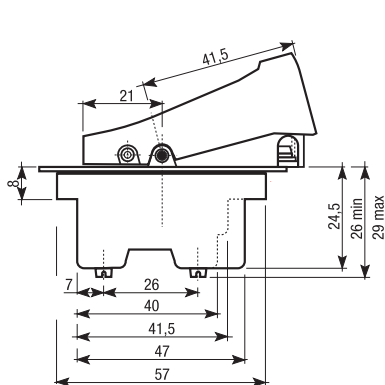
VD877800	LLA438N3	3 pole switch with black unstable lever, fixing holes distance 65mm	10
VD894300	LLA438A3	3 pole switch with orange unstable lever, fixing holes distance 65mm	10



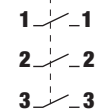


VG882500 LLA439A0 3 pole switch with orange unstable lever, without fixing holes

10



Diagram



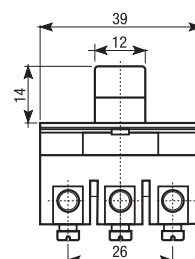
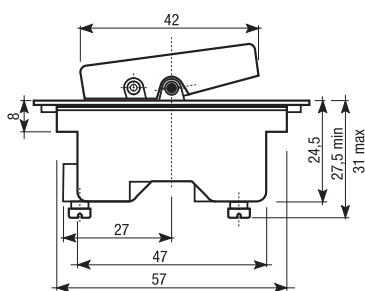
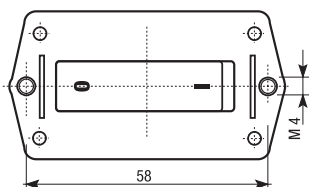
## ■ Serie LNA45

Part no. Type Description

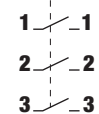
Pack

VG888200 LNA452N2B 3 pole switch with black stable lever, fixing holes distance 58mm, L=39mm

10


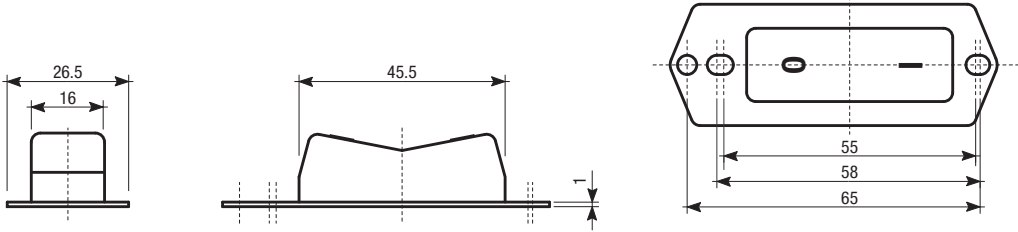


Diagram



Accessories

Dustproof cover

	Part no.	Type	Description	Pack
 	<p>PROTG4198</p>	<p>PROTG4198</p>	<p>Dustproof cover</p>	<p>10</p>