



Switch
disconnectors
Enclosed series

Enclosed switch-disconnectors

The range of Bremas enclosed switch-disconnectors KNZ and XNA series includes ratings from 16A to 40A. The structural details, according to the highest market standards, make these products suitable for the most different applications.



(B140)

- IP66 protection degree
- 2xPg 16/21 traces on each side of the enclosure (B140)
- Padlockable handle in “OFF” position
- Double insulated thermoplastic enclosures
- Terminals for 5 wires systems (B140): 3 phase + N + PE
- Auxiliary contacts and additional pole can be added (XNA only, enclosure type B140)
- Cover interlock in “ON” position

Enclosed switch-disconnectors

Enclosures	Type	Dimensions (L x W x P)	Characteristics
<p>front drive</p> 	B95	120 x 95 x 78 mm 4.72 x 3.74 x 3.07 in	ABS, IP66. 4xM20 knock-outs on two sides, 4xPg16 on one side and on the bottom of the enclosure
	B140	140x165x80,5mm 5.51 x 6.50 x 3.17 in	ABS, IP66. 2xPg 16 /21 traces on each side of the enclosure (B140)
<h2>Standard plates and knobs</h2>		BL6	Yellow plate 67x67mm (2.64x2.64"), red padlockable knob (max 3 padlocks), IP66
		BK6	Grey plate 67x67mm (2.64x2.64"), black padlockable knob (max 3 padlocks), IP66

Enclosed switch-disconnectors KNZ with front drive B95

Part no.	Description	Pack.
KNZ0163B95BL6	enclosed switch-disconnector 3 pole, yellow plate 67x67 mm (2.64x2.64"), red padlockable knob (max 3 padlocks)	1
KNZ0164B95BL6	enclosed switch-disconnector 4 pole, yellow plate 67x67 mm (2.64x2.64"), red padlockable knob (max 3 padlocks)	1
KNZ0303B95BL6	enclosed switch-disconnector 3 pole, yellow plate 67x67 mm (2.64x2.64"), red padlockable knob (max 3 padlocks)	1
KNZ0304B95BL6	enclosed switch-disconnector 4 pole, yellow plate 67x67 mm (2.64x2.64"), red padlockable knob (max 3 padlocks)	1
KNZ0403B95BL6	enclosed switch-disconnector 3 pole, yellow plate 67x67 mm (2.64x2.64"), red padlockable knob (max 3 padlocks)	1
KNZ0404B95BL6	enclosed switch-disconnector 4 pole, yellow plate 67x67 mm (2.64x2.64"), red padlockable knob (max 3 padlocks)	1
KNZ0163B95BK6	enclosed switch-disconnector 3 pole, grey plate 67x67 mm (2.64x2.64"), black padlockable knob (max 3 padlocks)	1
KNZ0164B95BK6	enclosed switch-disconnector 4 pole, grey plate 67x67 mm (2.64x2.64"), black padlockable knob (max 3 padlocks)	1
KNZ0303B95BK6	enclosed switch-disconnector 3 pole, grey plate 67x67 mm (2.64x2.64"), black padlockable knob (max 3 padlocks)	1
KNZ0304B95BK6	enclosed switch-disconnector 4 pole, grey plate 67x67 mm (2.64x2.64"), black padlockable knob (max 3 padlocks)	1
KNZ0403B95BK6	enclosed switch-disconnector 3 pole, grey plate 67x67 mm (2.64x2.64"), black padlockable knob (max 3 padlocks)	1
KNZ0404B95BK6	enclosed switch-disconnector 4 pole, grey plate 67x67 mm (2.64x2.64"), black padlockable knob (max 3 padlocks)	1



Enclosed switch-disconnectors XNA with front drive B140

Part no.	Description	Pack
XNA0163B140BL6	enclosed switch-disconnector 3 pole, yellow plate 67x67 mm (2.64x2.64"), red padlockable knob (max 3 padlocks)	1
XNA0164B140BL6	enclosed switch-disconnector 4 pole, yellow plate 67x67 mm (2.64x2.64"), red padlockable knob (max 3 padlocks)	1
XNA0323B140BL6	enclosed switch-disconnector 3 pole, yellow plate 67x67 mm (2.64x2.64"), red padlockable knob (max 3 padlocks)	1
XNA0324B140BL6	enclosed switch-disconnector 4 pole, yellow plate 67x67 mm (2.64x2.64"), red padlockable knob (max 3 padlocks)	1
XNA0163B140BK6	enclosed switch-disconnector 3 pole, grey plate 67x67 mm (2.64x2.64"), black padlockable knob (max 3 padlocks)	1
XNA0164B140BK6	enclosed switch-disconnector 4 pole, grey plate 67x67 mm (2.64x2.64"), black padlockable knob (max 3 padlocks)	1
XNA0323B140BK6	enclosed switch-disconnector 3 pole, grey plate 67x67 mm (2.64x2.64"), black padlockable knob (max 3 padlocks)	1
XNA0324B140BK6	enclosed switch-disconnector 4 pole, grey plate 67x67 mm (2.64x2.64"), black padlockable knob (max 3 padlocks)	1



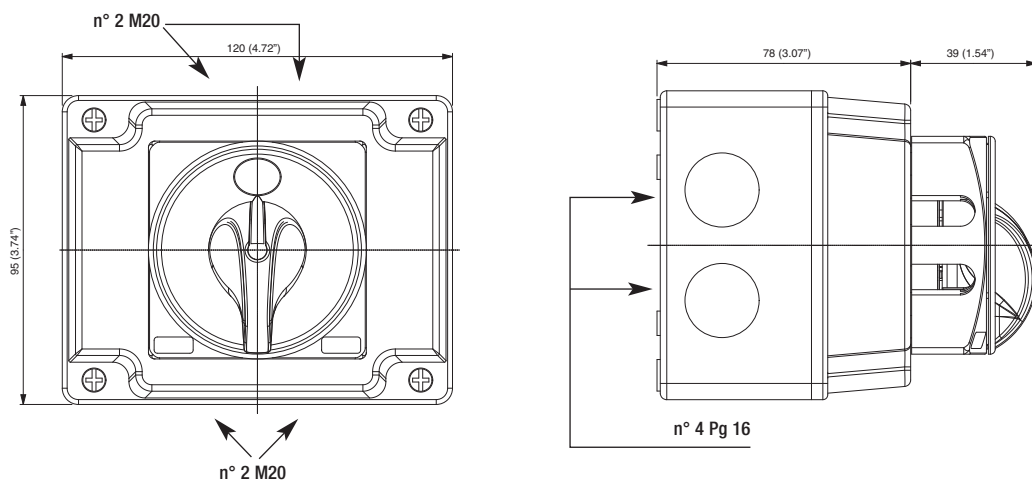
Enclosures

Type	Description	Pack
B140	enclosure with front drive with RL6 handle	on request 1

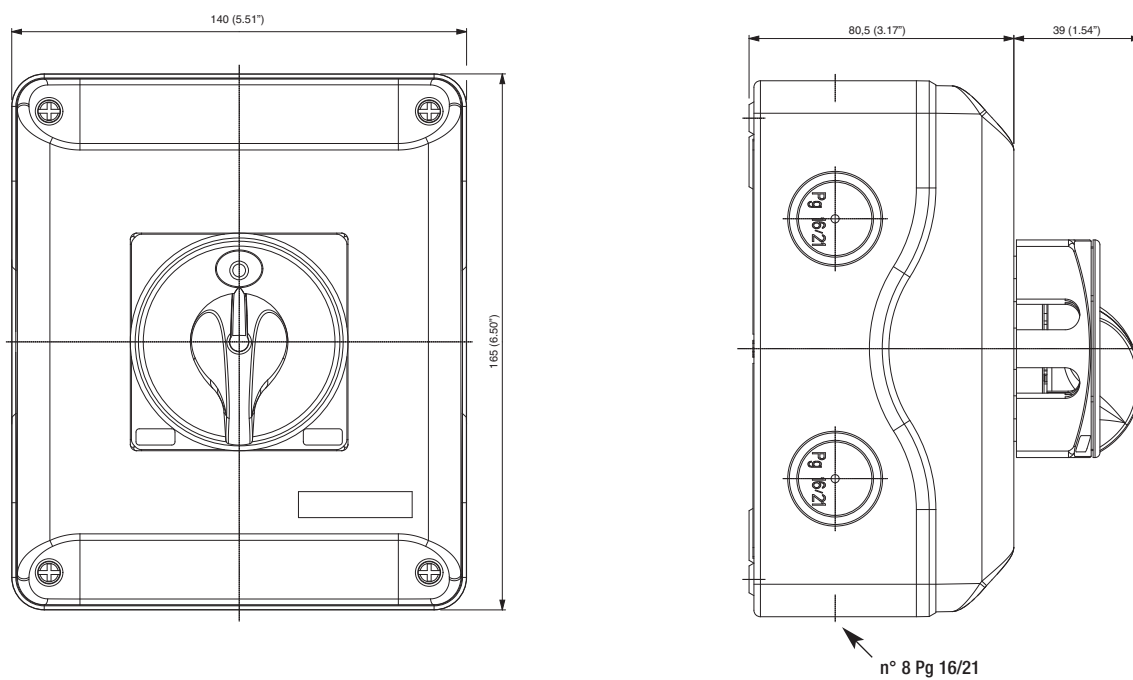


Dimensions - measures in mm (in)

■ B95

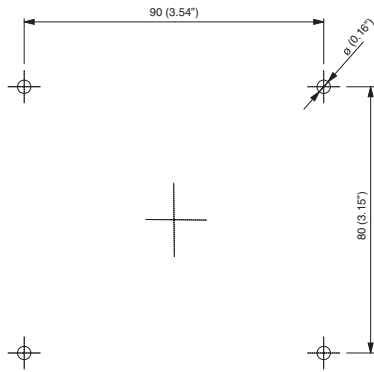


■ B140



■ Drilling templates

B95



■ Drilling template - B140

